

## Swivel Clamp Connector Joints

Aluminum / Stainless Steel

### SPECIFICATION

#### Identification no.

No. **2**: With 3 stainless steel socket cap screws DIN 912

Aluminum

- Powder coated  
Black, RAL 9005, textured finish **SW**
- Plain, matte shot-blasted **BL**

Stainless steel AISI CF-8 **NI**

Matte shot-blasted

Socket cap screws DIN 912

Stainless steel AISI 304

Hex nuts DIN 985

Stainless steel AISI 304

Self-locking via polyamide ring



### INFORMATION

Swivel clamp connector joints GN 283 are an assembly of the swivel clamp connectors GN 273 (see page 1849) and GN 275 (see page 1854).

The clamping bores are mechanically machined and designed for construction tubes GN 990 (see page 1902) or DIN 2391, DIN 2395 and DIN 2462.

At the screw locations **z<sub>1</sub>**, the socket cap screws reduce the bore cross-section for clamping.

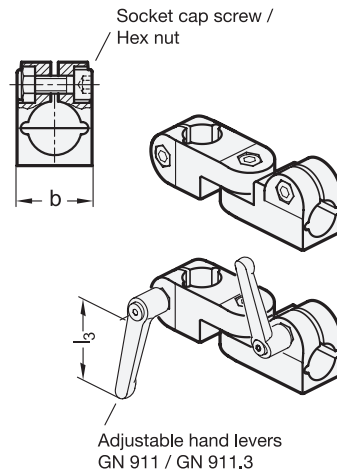
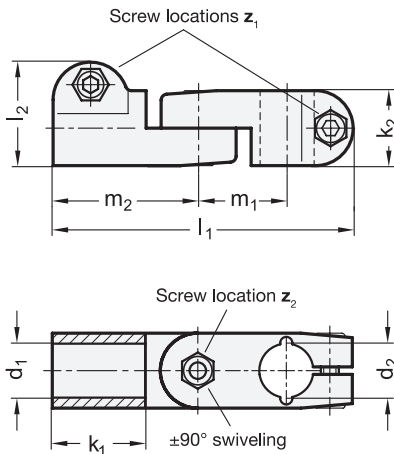
For clamping without tools, the socket cap screws can be replaced by the adjustable hand levers GN 911 (see page 1874) / GN 911.3 (see page 1875) listed in the table as accessory.

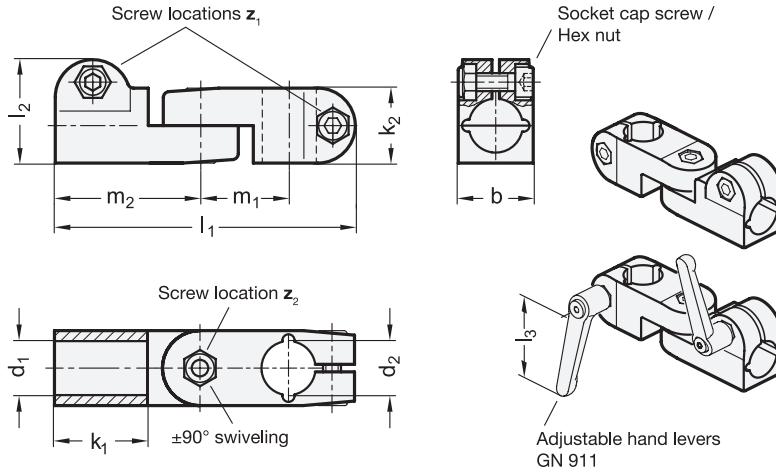
### ACCESSORY

- Adjustable Hand Levers GN 911 (see page 1874) / GN 911.3 (see page 1875)

### TECHNICAL INFORMATION

- Stainless Steel Characteristics (see page A26)





\* Complete with

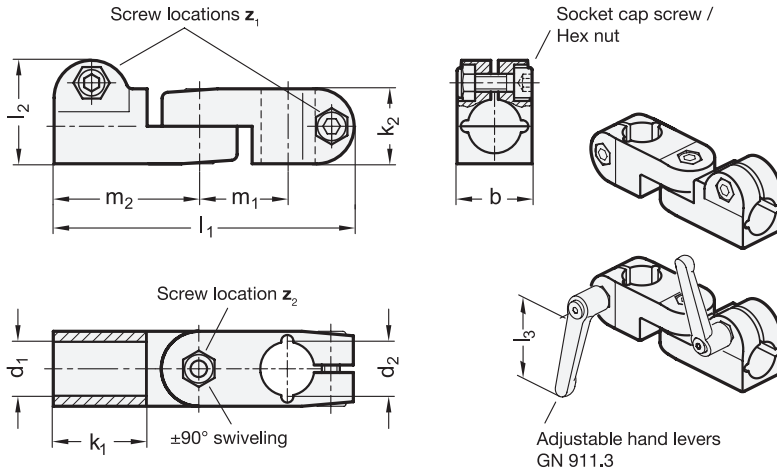
SW BL  
RAL9005 Plain

GN 283-AL

| Description        | d1<br>Bore | d2<br>Bore | b  | k1   | k2 | l1  | l2   | m1   | m2   | z1<br>Screw<br>locations | z2<br>Screw<br>location | Accessory<br>Recom. hand lever<br>GN 911 for z1 l3 | Accessory<br>Recom. hand lever<br>GN 911 for z2 l3 | ⚖️  |
|--------------------|------------|------------|----|------|----|-----|------|------|------|--------------------------|-------------------------|--|--|-----|
| GN 283-B12-B12-2-* | B 12       | B 12       | 25 | 31.5 | 25 | 100 | 34.5 | 29.5 | 48.5 | M6-20                    | M6-20                   | 63   -   | 45   63  | 156 |
| GN 283-B12-B14-2-* | B 12       | B 14       | 25 | 31.5 | 25 | 100 | 34.5 | 29.5 | 48.5 | M6-20                    | M6-20                   | 63   -   | 45   63  | 146 |
| GN 283-B12-B15-2-* | B 12       | B 15       | 25 | 31.5 | 25 | 100 | 34.5 | 29.5 | 48.5 | M6-20                    | M6-20                   | 63   -   | 45   63  | 134 |
| GN 283-B12-B16-2-* | B 12       | B 16       | 25 | 31.5 | 25 | 100 | 34.5 | 29.5 | 48.5 | M6-20                    | M6-20                   | 63   -   | 45   63  | 126 |
| GN 283-B12-B18-2-* | B 12       | B 18       | 25 | 31.5 | 25 | 100 | 34.5 | 29.5 | 48.5 | M6-20                    | M6-20                   | 63   -   | 45   63  | 121 |
| GN 283-B14-B12-2-* | B 14       | B 12       | 25 | 31.5 | 25 | 100 | 34.5 | 29.5 | 48.5 | M6-20                    | M6-20                   | 45   63  | 45   63  | 146 |
| GN 283-B14-B14-2-* | B 14       | B 14       | 25 | 31.5 | 25 | 100 | 34.5 | 29.5 | 48.5 | M6-20                    | M6-20                   | 45   63  | 45   63  | 140 |
| GN 283-B14-B15-2-* | B 14       | B 15       | 25 | 31.5 | 25 | 100 | 34.5 | 29.5 | 48.5 | M6-20                    | M6-20                   | 45   63  | 45   63  | 132 |
| GN 283-B14-B16-2-* | B 14       | B 16       | 25 | 31.5 | 25 | 100 | 34.5 | 29.5 | 48.5 | M6-20                    | M6-20                   | 45   63  | 45   63  | 127 |
| GN 283-B14-B18-2-* | B 14       | B 18       | 25 | 31.5 | 25 | 100 | 34.5 | 29.5 | 48.5 | M6-20                    | M6-20                   | 45   63  | 45   63  | 118 |
| GN 283-B15-B12-2-* | B 15       | B 12       | 25 | 31.5 | 25 | 100 | 34.5 | 29.5 | 48.5 | M6-20                    | M6-20                   | 45   63  | 45   63  | 127 |
| GN 283-B15-B14-2-* | B 15       | B 14       | 25 | 31.5 | 25 | 100 | 34.5 | 29.5 | 48.5 | M6-20                    | M6-20                   | 45   63  | 45   63  | 123 |
| GN 283-B15-B15-2-* | B 15       | B 15       | 25 | 31.5 | 25 | 100 | 34.5 | 29.5 | 48.5 | M6-20                    | M6-20                   | 45   63  | 45   63  | 119 |
| GN 283-B15-B16-2-* | B 15       | B 16       | 25 | 31.5 | 25 | 100 | 34.5 | 29.5 | 48.5 | M6-20                    | M6-20                   | 45   63  | 45   63  | 112 |
| GN 283-B15-B18-2-* | B 15       | B 18       | 25 | 31.5 | 25 | 100 | 34.5 | 29.5 | 48.5 | M6-20                    | M6-20                   | 45   63  | 45   63  | 105 |
| GN 283-B16-B12-2-* | B 16       | B 12       | 25 | 31.5 | 25 | 100 | 34.5 | 29.5 | 48.5 | M6-20                    | M6-20                   | 45   63  | 45   63  | 146 |
| GN 283-B16-B14-2-* | B 16       | B 14       | 25 | 31.5 | 25 | 100 | 34.5 | 29.5 | 48.5 | M6-20                    | M6-20                   | 45   63  | 45   63  | 138 |
| GN 283-B16-B15-2-* | B 16       | B 15       | 25 | 31.5 | 25 | 100 | 34.5 | 29.5 | 48.5 | M6-20                    | M6-20                   | 45   63  | 45   63  | 129 |
| GN 283-B16-B16-2-* | B 16       | B 16       | 25 | 31.5 | 25 | 100 | 34.5 | 29.5 | 48.5 | M6-20                    | M6-20                   | 45   63  | 45   63  | 121 |
| GN 283-B16-B18-2-* | B 16       | B 18       | 25 | 31.5 | 25 | 100 | 34.5 | 29.5 | 48.5 | M6-20                    | M6-20                   | 45   63  | 45   63  | 117 |
| GN 283-B18-B12-2-* | B 18       | B 12       | 25 | 31.5 | 25 | 100 | 34.5 | 29.5 | 48.5 | M6-20                    | M6-20                   | 45   63  | 45   63  | 146 |
| GN 283-B18-B14-2-* | B 18       | B 14       | 25 | 31.5 | 25 | 100 | 34.5 | 29.5 | 48.5 | M6-20                    | M6-20                   | 45   63  | 45   63  | 132 |
| GN 283-B18-B15-2-* | B 18       | B 15       | 25 | 31.5 | 25 | 100 | 34.5 | 29.5 | 48.5 | M6-20                    | M6-20                   | 45   63  | 45   63  | 127 |
| GN 283-B18-B16-2-* | B 18       | B 16       | 25 | 31.5 | 25 | 100 | 34.5 | 29.5 | 48.5 | M6-20                    | M6-20                   | 45   63  | 45   63  | 123 |
| GN 283-B18-B18-2-* | B 18       | B 18       | 25 | 31.5 | 25 | 100 | 34.5 | 29.5 | 48.5 | M6-20                    | M6-20                   | 45   63  | 45   63  | 117 |

Weight SW





GN 283-NI

STAINLESS STEEL

| Description         | d1<br>Bore | d2<br>Bore | b  | k1   | k2 | l1  | l2   | m1   | m2   | z1<br>Screw<br>locations | z2<br>Screw<br>location | Accessory<br>Recom.<br>hand lever<br>GN 911.3 for z1 l3 | Accessory<br>Recom.<br>hand lever<br>GN 911.3 for z2 l3 | 🔗   |
|---------------------|------------|------------|----|------|----|-----|------|------|------|--------------------------|-------------------------|---|---|-----|
| GN 283-B12-B12-2-NI | B 12       | B 12       | 25 | 31.5 | 25 | 100 | 34.5 | 29.5 | 48.5 | M6-20                    | M6-20                   | -   | 45   63   | 336 |
| GN 283-B12-B14-2-NI | B 12       | B 14       | 25 | 31.5 | 25 | 100 | 34.5 | 29.5 | 48.5 | M6-20                    | M6-20                   | -   | 45   63   | 329 |
| GN 283-B12-B15-2-NI | B 12       | B 15       | 25 | 31.5 | 25 | 100 | 34.5 | 29.5 | 48.5 | M6-20                    | M6-20                   | -   | 45   63   | 325 |
| GN 283-B12-B16-2-NI | B 12       | B 16       | 25 | 31.5 | 25 | 100 | 34.5 | 29.5 | 48.5 | M6-20                    | M6-20                   | -   | 45   63   | 319 |
| GN 283-B12-B18-2-NI | B 12       | B 18       | 25 | 31.5 | 25 | 100 | 34.5 | 29.5 | 48.5 | M6-20                    | M6-20                   | -   | 45   63   | 310 |
| GN 283-B12-B20-2-NI | B 12       | B 20       | 25 | 31.5 | 25 | 100 | 34.5 | 29.5 | 48.5 | M6-20                    | M6-20                   | -   | 45   63   | 297 |
| GN 283-B14-B12-2-NI | B 14       | B 12       | 25 | 31.5 | 25 | 100 | 34.5 | 29.5 | 48.5 | M6-20                    | M6-20                   | -   | 45   63   | 329 |
| GN 283-B14-B14-2-NI | B 14       | B 14       | 25 | 31.5 | 25 | 100 | 34.5 | 29.5 | 48.5 | M6-20                    | M6-20                   | -   | 45   63   | 322 |
| GN 283-B14-B15-2-NI | B 14       | B 15       | 25 | 31.5 | 25 | 100 | 34.5 | 29.5 | 48.5 | M6-20                    | M6-20                   | -   | 45   63   | 318 |
| GN 283-B14-B16-2-NI | B 14       | B 16       | 25 | 31.5 | 25 | 100 | 34.5 | 29.5 | 48.5 | M6-20                    | M6-20                   | -   | 45   63   | 312 |
| GN 283-B14-B18-2-NI | B 14       | B 18       | 25 | 31.5 | 25 | 100 | 34.5 | 29.5 | 48.5 | M6-20                    | M6-20                   | -   | 45   63   | 303 |
| GN 283-B14-B20-2-NI | B 14       | B 20       | 25 | 31.5 | 25 | 100 | 34.5 | 29.5 | 48.5 | M6-20                    | M6-20                   | -   | 45   63   | 290 |
| GN 283-B15-B12-2-NI | B 15       | B 12       | 25 | 31.5 | 25 | 100 | 34.5 | 29.5 | 48.5 | M6-20                    | M6-20                   | -   | 45   63   | 327 |
| GN 283-B15-B14-2-NI | B 15       | B 14       | 25 | 31.5 | 25 | 100 | 34.5 | 29.5 | 48.5 | M6-20                    | M6-20                   | -   | 45   63   | 320 |
| GN 283-B15-B15-2-NI | B 15       | B 15       | 25 | 31.5 | 25 | 100 | 34.5 | 29.5 | 48.5 | M6-20                    | M6-20                   | -   | 45   63   | 316 |
| GN 283-B15-B16-2-NI | B 15       | B 16       | 25 | 31.5 | 25 | 100 | 34.5 | 29.5 | 48.5 | M6-20                    | M6-20                   | -   | 45   63   | 310 |
| GN 283-B15-B18-2-NI | B 15       | B 18       | 25 | 31.5 | 25 | 100 | 34.5 | 29.5 | 48.5 | M6-20                    | M6-20                   | -   | 45   63   | 301 |
| GN 283-B15-B20-2-NI | B 15       | B 20       | 25 | 31.5 | 25 | 100 | 34.5 | 29.5 | 48.5 | M6-20                    | M6-20                   | -   | 45   63   | 288 |
| GN 283-B16-B12-2-NI | B 16       | B 12       | 25 | 31.5 | 25 | 100 | 34.5 | 29.5 | 48.5 | M6-20                    | M6-20                   | -   | 45   63   | 323 |
| GN 283-B16-B14-2-NI | B 16       | B 14       | 25 | 31.5 | 25 | 100 | 34.5 | 29.5 | 48.5 | M6-20                    | M6-20                   | -   | 45   63   | 316 |
| GN 283-B16-B15-2-NI | B 16       | B 15       | 25 | 31.5 | 25 | 100 | 34.5 | 29.5 | 48.5 | M6-20                    | M6-20                   | -   | 45   63   | 312 |
| GN 283-B16-B16-2-NI | B 16       | B 16       | 25 | 31.5 | 25 | 100 | 34.5 | 29.5 | 48.5 | M6-20                    | M6-20                   | -   | 45   63   | 306 |
| GN 283-B16-B18-2-NI | B 16       | B 18       | 25 | 31.5 | 25 | 100 | 34.5 | 29.5 | 48.5 | M6-20                    | M6-20                   | -   | 45   63   | 297 |
| GN 283-B16-B20-2-NI | B 16       | B 20       | 25 | 31.5 | 25 | 100 | 34.5 | 29.5 | 48.5 | M6-20                    | M6-20                   | -   | 45   63   | 284 |
| GN 283-B18-B12-2-NI | B 18       | B 12       | 25 | 31.5 | 25 | 100 | 34.5 | 29.5 | 48.5 | M6-20                    | M6-20                   | 63   -  | 45   63   | 315 |
| GN 283-B18-B14-2-NI | B 18       | B 14       | 25 | 31.5 | 25 | 100 | 34.5 | 29.5 | 48.5 | M6-20                    | M6-20                   | 63   -  | 45   63   | 308 |
| GN 283-B18-B15-2-NI | B 18       | B 15       | 25 | 31.5 | 25 | 100 | 34.5 | 29.5 | 48.5 | M6-20                    | M6-20                   | 63   -  | 45   63   | 304 |
| GN 283-B18-B16-2-NI | B 18       | B 16       | 25 | 31.5 | 25 | 100 | 34.5 | 29.5 | 48.5 | M6-20                    | M6-20                   | 63   -  | 45   63   | 298 |
| GN 283-B18-B18-2-NI | B 18       | B 18       | 25 | 31.5 | 25 | 100 | 34.5 | 29.5 | 48.5 | M6-20                    | M6-20                   | 63   -  | 45   63   | 289 |
| GN 283-B18-B20-2-NI | B 18       | B 20       | 25 | 31.5 | 25 | 100 | 34.5 | 29.5 | 48.5 | M6-20                    | M6-20                   | 63   -  | 45   63   | 276 |
| GN 283-B20-B12-2-NI | B 20       | B 12       | 25 | 31.5 | 25 | 100 | 34.5 | 29.5 | 48.5 | M6-20                    | M6-20                   | 45   63   | 45   63   | 306 |
| GN 283-B20-B14-2-NI | B 20       | B 14       | 25 | 31.5 | 25 | 100 | 34.5 | 29.5 | 48.5 | M6-20                    | M6-20                   | 45   63   | 45   63   | 299 |
| GN 283-B20-B15-2-NI | B 20       | B 15       | 25 | 31.5 | 25 | 100 | 34.5 | 29.5 | 48.5 | M6-20                    | M6-20                   | 45   63   | 45   63   | 295 |
| GN 283-B20-B16-2-NI | B 20       | B 16       | 25 | 31.5 | 25 | 100 | 34.5 | 29.5 | 48.5 | M6-20                    | M6-20                   | 45   63   | 45   63   | 289 |
| GN 283-B20-B18-2-NI | B 20       | B 18       | 25 | 31.5 | 25 | 100 | 34.5 | 29.5 | 48.5 | M6-20                    | M6-20                   | 45   63   | 45   63   | 280 |
| GN 283-B20-B20-2-NI | B 20       | B 20       | 25 | 31.5 | 25 | 100 | 34.5 | 29.5 | 48.5 | M6-20                    | M6-20                   | 45   63   | 45   63   | 267 |